

4

3

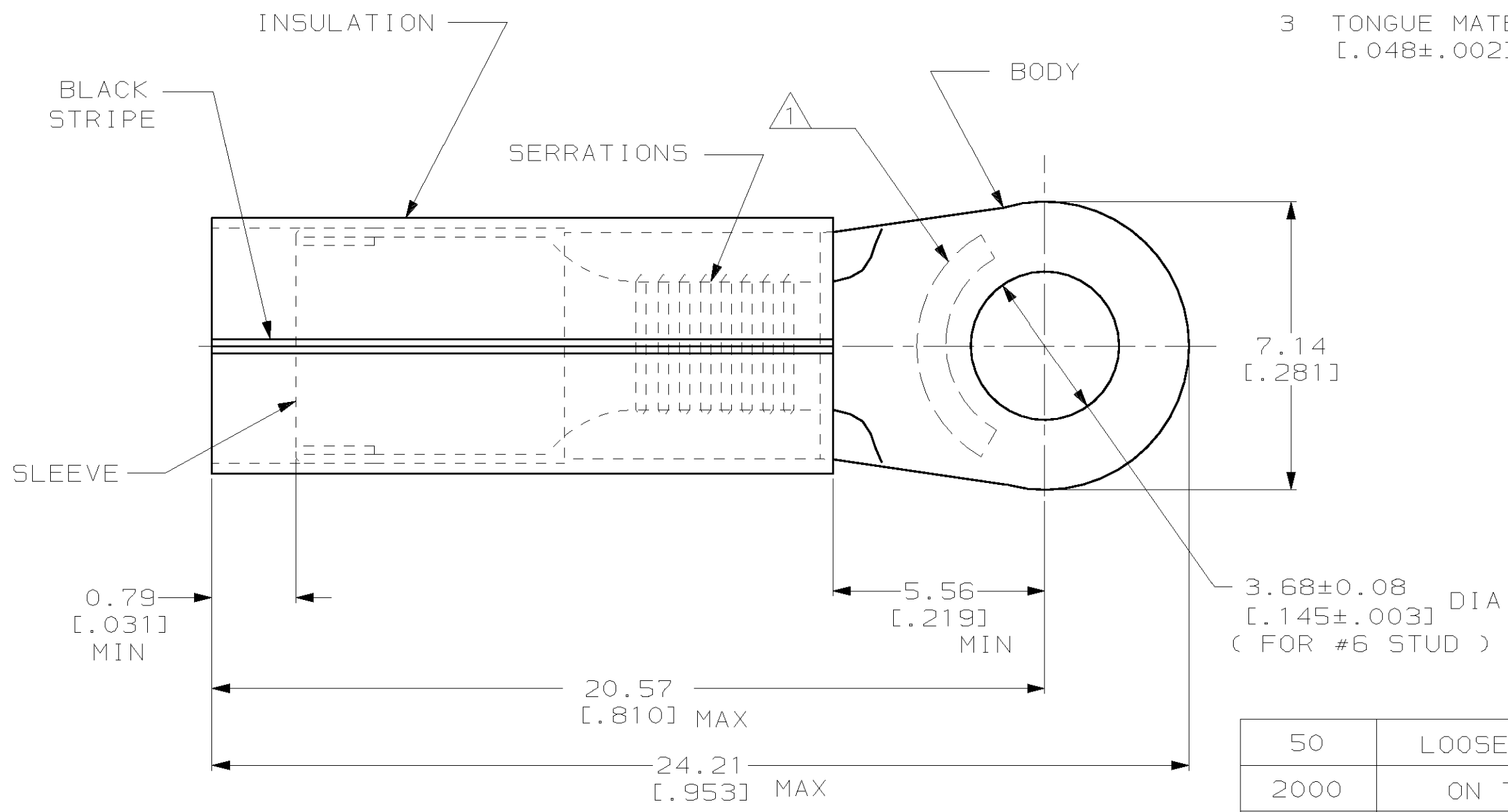
2

1

THIS DRAWING IS UNPUBLISHED. RELEASED FOR PUBLICATION, 19 .  
 © COPYRIGHT 19 BY AMP INCORPORATED. ALL RIGHTS RESERVED.

LOC	DIST	REVISIONS					
		P	LTR	DESCRIPTION	DATE	DWN	APVD
G	14		J	REV PER 063A-0197-99	21OCT99	JR	TM

- 1 STAMP AMP 16-14 HD\*  
LOCATED APPROX AS SHOWN
- 2 FOR 3.81 - 6.35 [.150-.250] WIRE  
INSULATION DIA.
- 3 TONGUE MATERIAL THK = 1.22±0.05  
[.048±.002]



QTY	DESCRIPTION	PART NO.
50	LOOSE PIECE, BOX	8-35634-2
2000	ON TAPE, REEL	2-35634-1
500	LOOSE PIECE	35634

THIS DRAWING IS A CONTROLLED DOCUMENT.		DWN JR RUTH 20AUG99	AMP Incorporated Harrisburg, PA 17105-3608		
DIMENSIONS: MM [INCHES]		CHK T MICHIELUTTI 20AUG99			
TOLERANCES UNLESS OTHERWISE SPECIFIED:		APVD T MICHIELUTTI 20AUG99	NAME TERMINAL, RING TONGUE, PIDG, WIRE SIZE: 16-14 HD		
0 PLC ±- 1 PLC ±- 2 PLC ±0.20 [.008] 3 PLC ±- 4 PLC ±5° ANGLES ±-		PRODUCT SPEC -	RESTRICTED TO -		
MATERIAL BODY - COPPER (ASTM B152) SLEEVE - COPPER (ASTM B152) INSULATION - NYLON, YELLOW		APPLICATION SPEC -	SIZE A3	CAGE CODE 00779	DRAWING NO C- 35634
FINISH BODY - TIN PLATE (ASTM B545)		WEIGHT -	CUSTOMER DRAWING		
		SCALE 8:1	SHEET 1 OF 1	REV J	